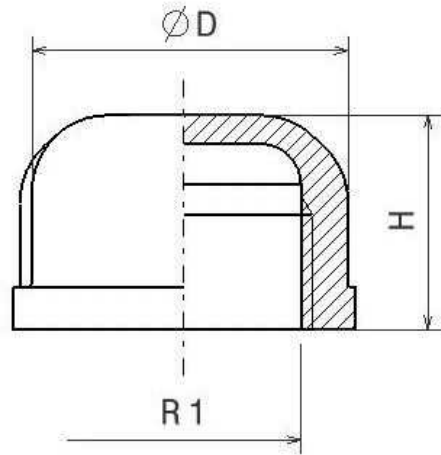


Screwed fittings low pressure 150 LBS
 Screwed fittings low pressure 150 LBS
Round female cap FIG.301

Stainless Steel AISI 316



Norms: Male thread according to EN10226-1
 Female thread according to ISO 228-1

Part nº	R1	ØD	H
150RC02	1/8"	13,5	12
150RC04	1/4"	16,4	15,3
150RC06	3/8"	20	16,3
150RC08	1/2"	28	21
150RC12	3/4"	35	22,2
150RC16	1"	40	24
150RC20	1"1/4	47,5	24
150RC24	1"1/2	53,5	30
150RC32	2"	65,5	29,4
150RC40	2"1/2	82	32
150RC48	3"	97,5	37
150RC64	4"	122	40

The dimensions in micro-casting parts are approximated in those elements without machining.